

The Benchmark
for Wind Turbine
Availability Under
Tough Conditions

SKiiP[®] X

3-phase inverter from 1MW up to 6MW



Wind
Energy



Highest environmental protection

- Climatic conditions 3K4 / pollution degree III condensation and pollution allowed during operation, less effort for climatic control inside cabinet
- Fully assembled and tested IPM
- Compact and low inductive DC link assembly supported

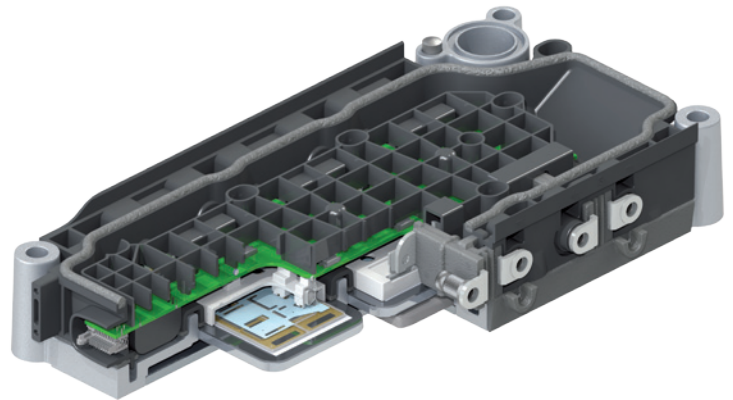


SKiiPX platform

1700V platform	I_{RMS} /phase	P_{TOTAL}	No. of phases	Dimensions H x W x D in mm
SKiiP 121XGD17E4-6DW	1200A	3 x 1.0MW	3	360 x 130 x 300
SKiiP 181XGD17E4-9DW	1800A	3 x 1.5MW	3	495 x 130 x 300

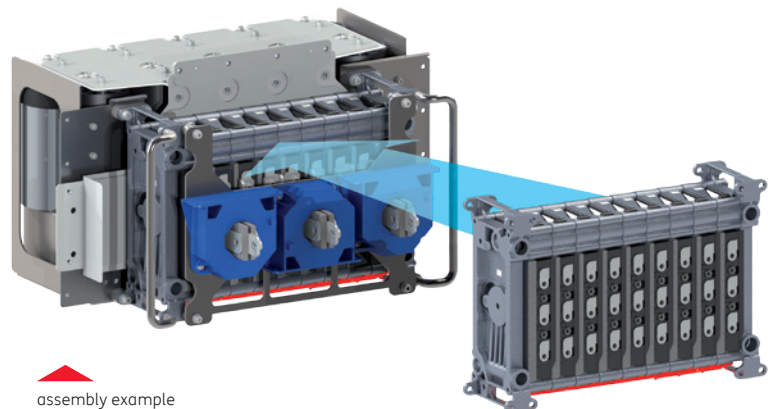
Assembled SKiN Technology for extended lifetime

- No bonding wires, no solder - 10 x higher load cycle capability
- Integrated and closed cooling system
- Constant operation up to 70°C ambient temperature, requires less cooling effort



The new standard for performance

- More than 24kVA/litre, only 72 litre for 1.5MW 3-phase inverter incl. DC-link
- 3MW converter, inverter and break chopper in one 600mm x 600mm x 2000mm cabinet
- Absolute benchmark in FIT, 50% less compared to today's solutions
- Safely galvanically separated primary output, no need for controller-side isolation



assembly example

Key features

3-phase inverter from 1MW to 6MW

50% less volume, 50% fewer parts

Integrated water cooling

1 million load cycles @ ΔT 70K

SKiN Technology

We are close to our customers
www.semikron.com/contact
shop.semikron.com

SEMIKRON INTERNATIONAL GmbH
 Sigmundstrasse 200, 90431 Nuremberg, Germany
 Phone +49 911 6559 6663 / Fax +49 911 6559 262
sales@semikron.com / www.semikron.com

NOTE: All information is based on our present knowledge and is to be used for information purposes only. The specifications of our components may not be considered as an assurance of component characteristics.