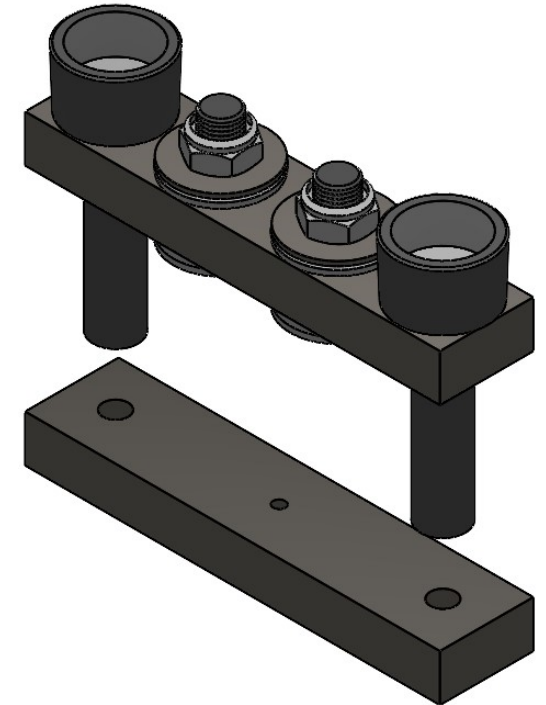
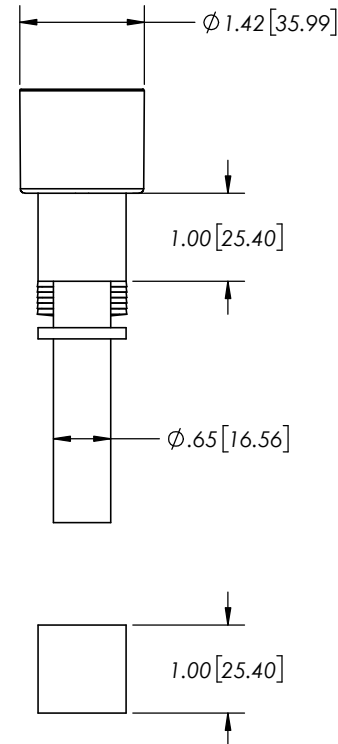
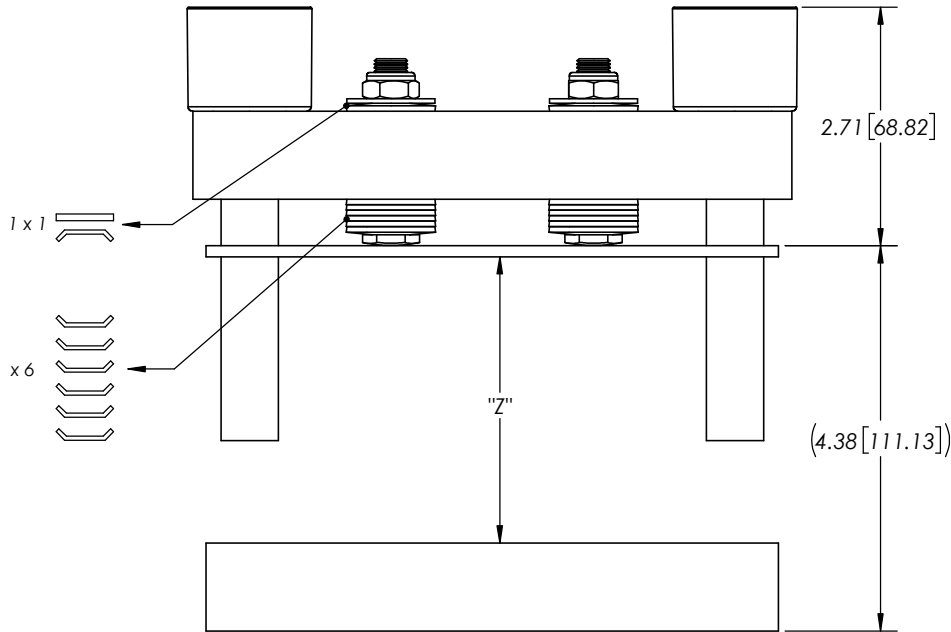
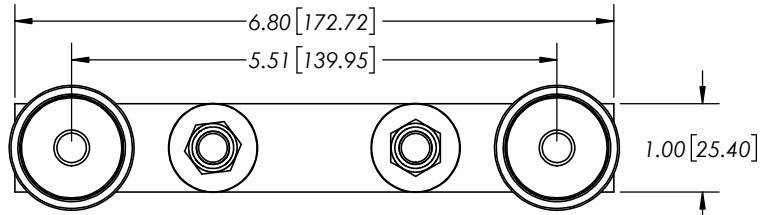



| REVISION TABLE | | | |
|----------------|-------------|-------|------|
| REV | DESCRIPTION | DRAWN | DATE |
| 1 | | | |

| ITEM NO. | PART NUMBER | DESCRIPTION | QUANTITY |
|----------|-------------|-------------|----------|
| 1 | Insulator | M12 x 45 mm | 2 |



Notes:
1. DIMENSIONS IN INCHES [MILLIMETERS].

| | | | | |
|---------------|----------------------|-----------------------------|---------------------------|--|
| Dwg no. | IC140C45KIT | NAME | DATE |  1051 Ages Drive Ottawa, ON Canada K1G 6L3 Tel: (613) 744-3670 Fax: (613) 744-8452 engineering@iconopower.com http://www.iconopower.com |
| Description | | DRAWN | | |
| Revision | | Designed | | |
| Calibrated at | 45 kN | Checked | | |
| Z | Various | UNLESS OTHERWISE SPECIFIED: | | PROPRIETARY AND CONFIDENTIAL |
| SCALE: 1:1 | DO NOT SCALE DRAWING | SHEET 1 OF 1 | ANGULAR: +/- 0 deg 15 min | TOLERANCES: .X +/- 0.1 .XX +/- 0.05 .XXX +/- 0.010 THE INFORMATION CONTAINED IN THIS DRAWING IS THE SOLE PROPERTY OF ICONOPOWER LTD. ANY REPRODUCTION IN PART OR AS A WHOLE WITHOUT THE WRITTEN PERMISSION OF ICONOPOWER LTD. IS PROHIBITED. ICONOPOWER LTD. RESERVES THE RIGHT TO CHANGE THE DESIGN AT ANY TIME WITHOUT A NOTICE FOR PRODUCT IMPROVEMENT PURPOSES. |