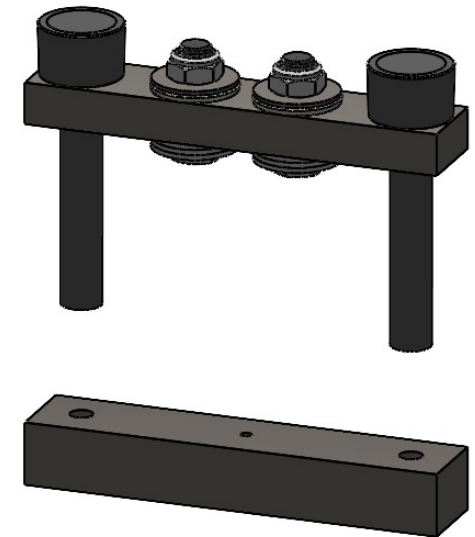
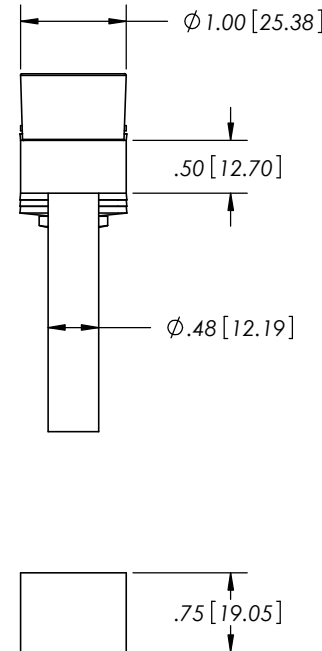
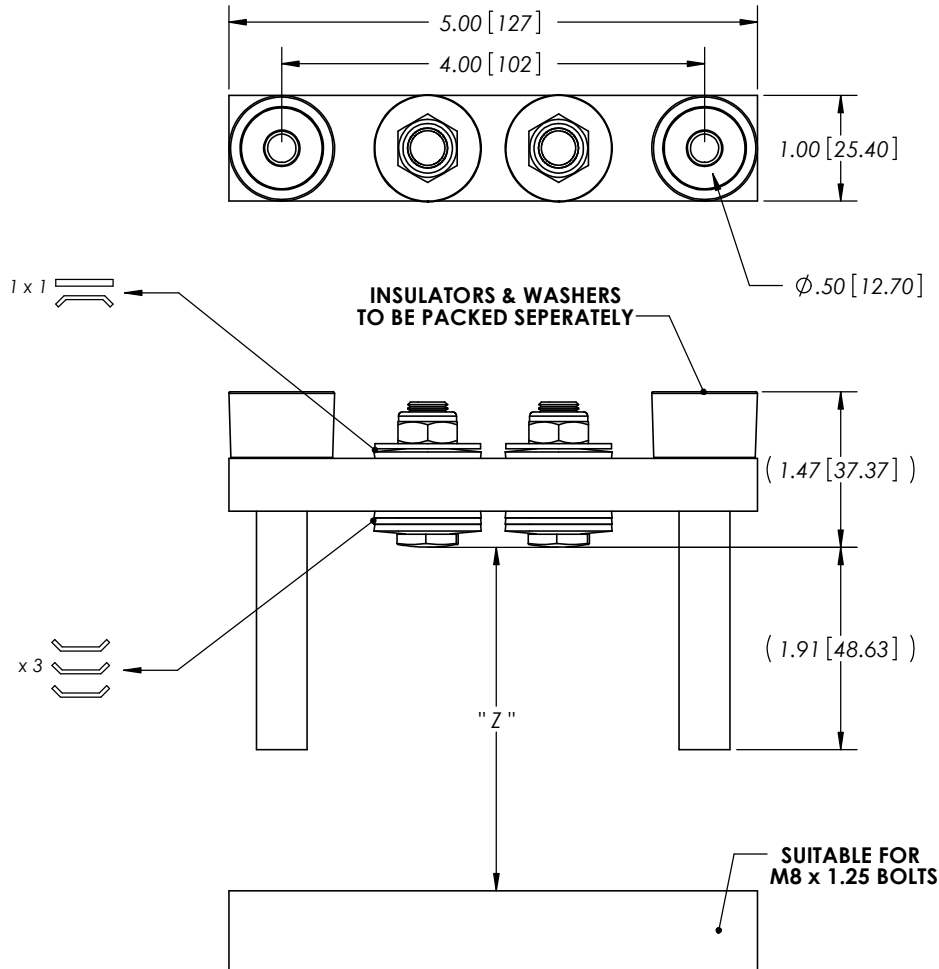



REVISION TABLE			
REV	DESCRIPTION	DRAWN	DATE
1			

ITEM NO.	PART NUMBER	DESCRIPTION	QUANTITY
1	Insulator	M8 x 70 mm	2



Notes:
1. DIMENSIONS IN INCHES [MILLIMETERS].

Dwg no.	IC102C22KIT	NAME	DATE	 ICONOPOWER 1051 Ages Drive Ottawa, ON Canada K1G 6L3 Tel: (613) 744-3670 Fax: (613) 744-8452 engineering@iconopower.com http://www.iconopower.com
Description		DRAWN		
Revision		Designed		
Calibrated at	22 kN	Checked		
Z	Various	UNLESS OTHERWISE SPECIFIED:		PROPRIETARY AND CONFIDENTIAL
SCALE: 1:1	DO NOT SCALE DRAWING	SHEET 1 OF 1	ANGULAR:	TOLERANCES: .X +/- 0.1 .XX +/- 0.05 .XXX +/- 0.010 +/- 0 deg 15 min THE INFORMATION CONTAINED IN THIS DRAWING IS THE SOLE PROPERTY OF ICONOPOWER LTD. ANY REPRODUCTION IN PART OR AS A WHOLE WITHOUT THE WRITTEN PERMISSION OF ICONOPOWER LTD. IS PROHIBITED. ICONOPOWER LTD. RESERVES THE RIGHT TO CHANGE THE DESIGN AT ANY TIME WITHOUT A NOTICE FOR PRODUCT IMPROVEMENT PURPOSES.