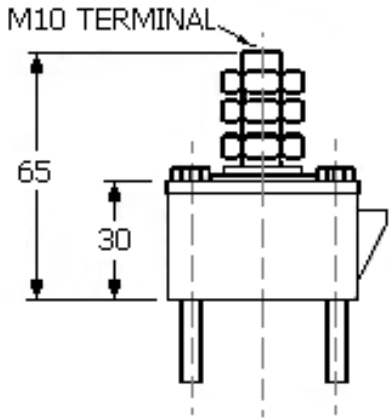
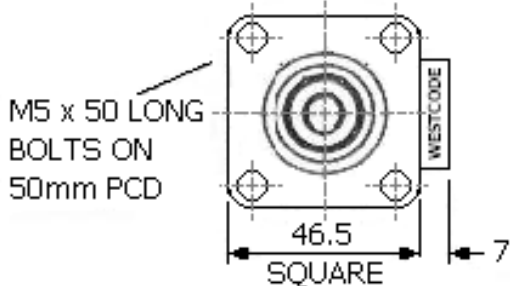
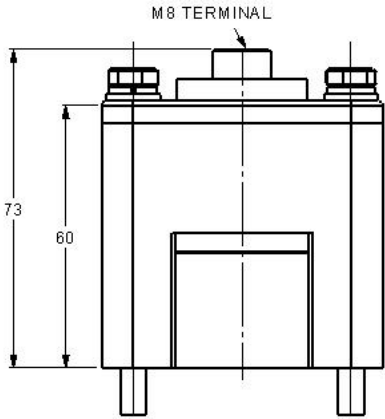
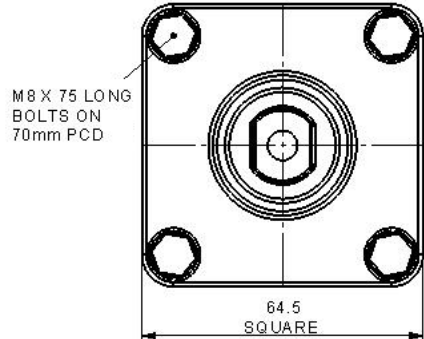


Clamps (Dimensions in mm and inches) (1mm= 0.0394 inch)



WC48 & WC49 CMK450B19M & 25M



WC50 CMK1500B34M