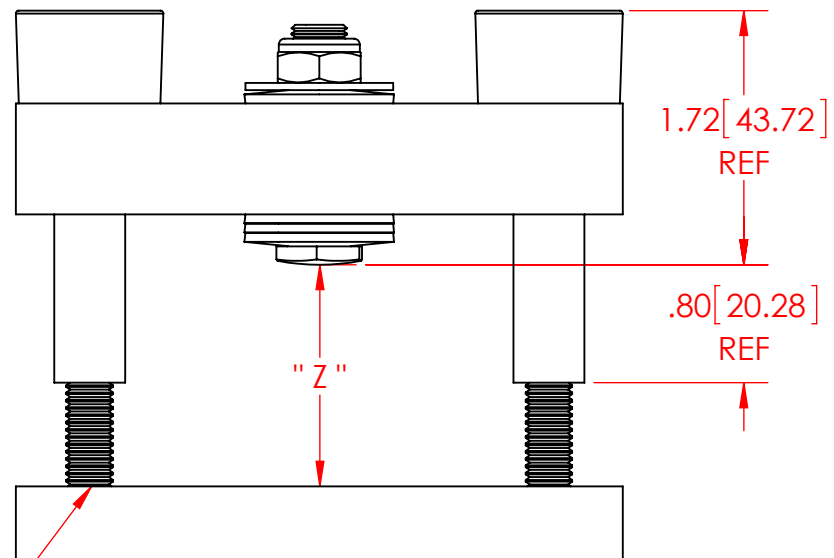
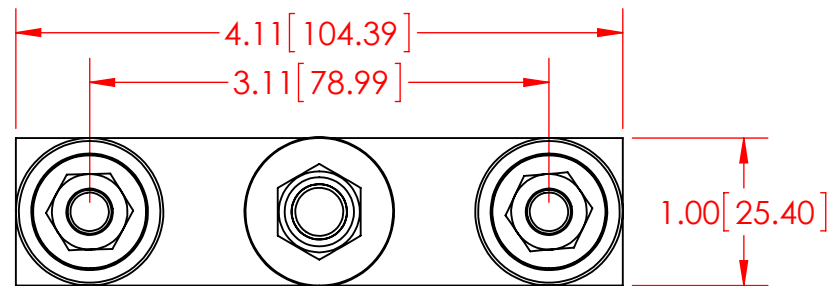
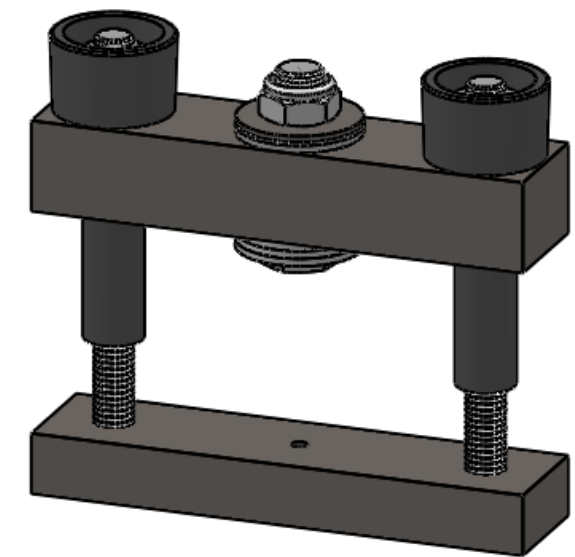
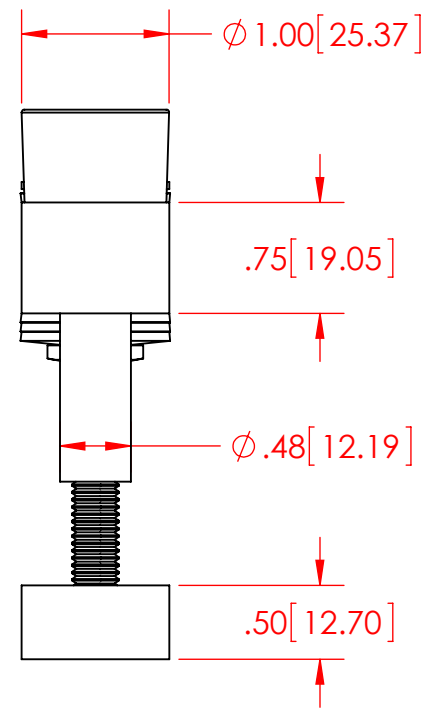


REVISION TABLE			
REV	DESCRIPTION	DRAWN	DATE
1			
2			


Item No.	Part Number	DESCRIPTION	QUANTITY
1	Rod	M8 x 94 mm	2
2	Insulator	M8 x 48 mm	2



RODS LOCTITE INTO THE BOTTOM BAR [ALL THE WAY]



Notes:
1. DIMENSIONS IN INCHES [MILLIMETERS].

Dwg no.	IC79F9D	NAME	DATE	 1230 Old Innes Road, Unit 411-412 Ottawa, ON Canada K1B-3V3 Tel: (613) 744-3670 Fax: (613) 744-8452 engineering@iconopower.com http://www.iconopower.com
Description	IC79F CLAMP	DRAWN	GUNVEET 25MAY11	
Revision		Designed		
Calibrated at	9kN	Checked	DEREK 26SEP11	UNLESS OTHERWISE SPECIFIED: TOLERANCES: .X +/- 0.1 .XX +/- 0.05 .XXX +/- 0.010 ANGULAR: +/- 0 deg 15 min
Z	1.25 - 1.50 [31.75 - 38.10]			
SCALE: 1:1	DO NOT SCALE DRAWING	SHEET 1 OF 1		PROPRIETARY AND CONFIDENTIAL THE INFORMATION CONTAINED IN THIS DRAWING IS THE SOLE PROPERTY OF ICONOPOWER LTD. ANY REPRODUCTION IN PART OR AS A WHOLE WITHOUT THE WRITTEN PERMISSION OF ICONOPOWER LTD. IS PROHIBITED. ICONOPOWER LTD. RESERVES THE RIGHT TO CHANGE THE DESIGN AT ANY TIME WITHOUT A NOTICE FOR PRODUCT IMPROVEMENT PURPOSES.