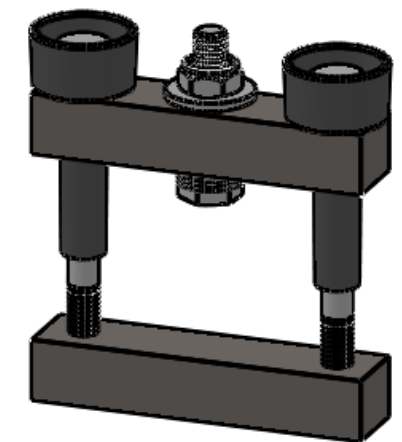
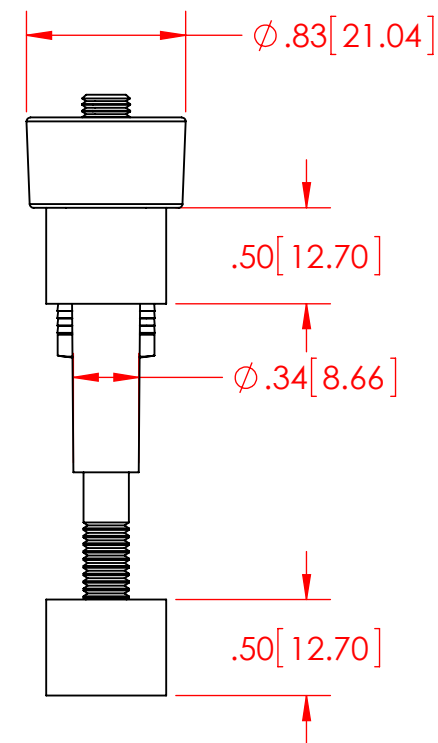
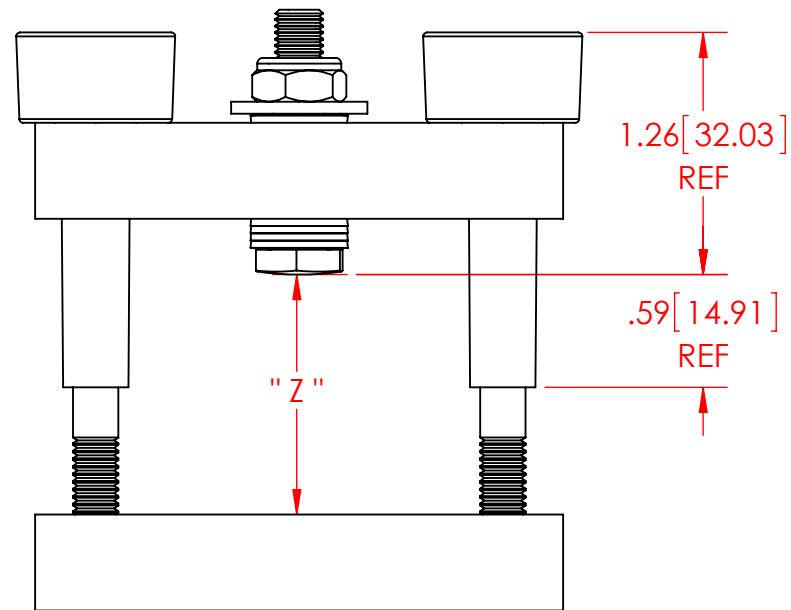
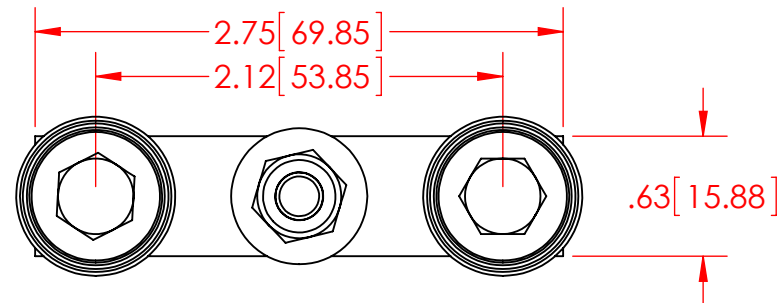



REVISION TABLE			
REV	DESCRIPTION	DRAWN	DATE
1			
2			

Item No.	Part Number	DESCRIPTION	QUANTITY
1	Bolt	M6 x 65 mm	2
2	Insulator	M6 x 35 mm	2



Notes:  
1. DIMENSIONS IN INCHES [ MILLIMETERS ].

Dwg no.	IC54C5C	NAME	DATE	 1230 Old Innes Road, Unit 411-412 Ottawa, ON Canada K1B-3V3 Tel: (613) 744-3670 Fax: (613) 744-8452 <a href="mailto:engineering@iconopower.com">engineering@iconopower.com</a> <a href="http://www.iconopower.com">http://www.iconopower.com</a>
Description	IC54C CLAMP	DRAWN	GUNVEET 08APR11	
Revision		Designed		
Calibrated at	5kN	Checked	DEREK 26SEP11	
Z	1.00 - 1.25 [25.40 - 31.75]	UNLESS OTHERWISE SPECIFIED: TOLERANCES: .X +/- 0.1 .XX +/- 0.05 .XXX +/- 0.010 ANGULAR: +/- 0 deg 15 min		PROPRIETARY AND CONFIDENTIAL THE INFORMATION CONTAINED IN THIS DRAWING IS THE SOLE PROPERTY OF ICONOPOWER LTD. ANY REPRODUCTION IN PART OR AS A WHOLE WITHOUT THE WRITTEN PERMISSION OF ICONOPOWER LTD. IS PROHIBITED. ICONOPOWER LTD. RESERVES THE RIGHT TO CHANGE THE DESIGN AT ANY TIME WITHOUT A NOTICE FOR PRODUCT IMPROVEMENT PURPOSES.
SCALE: 1:1	DO NOT SCALE DRAWING	SHEET 1 OF 1		