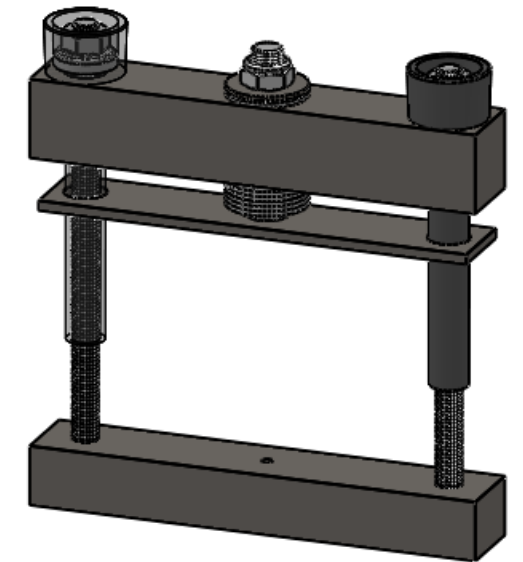
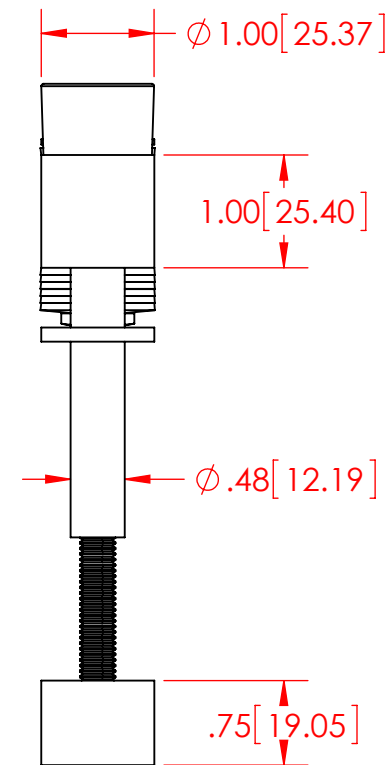
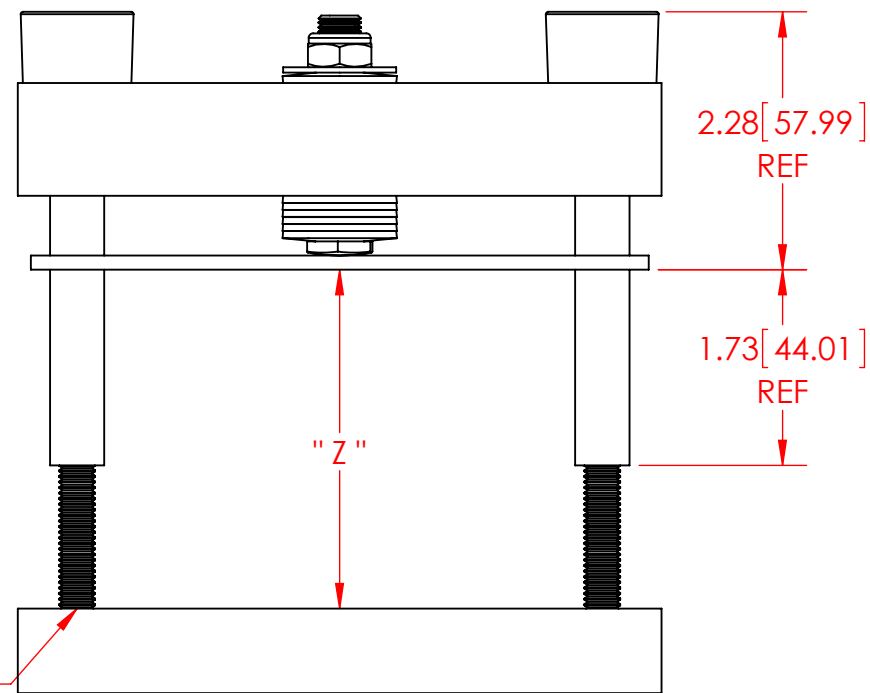
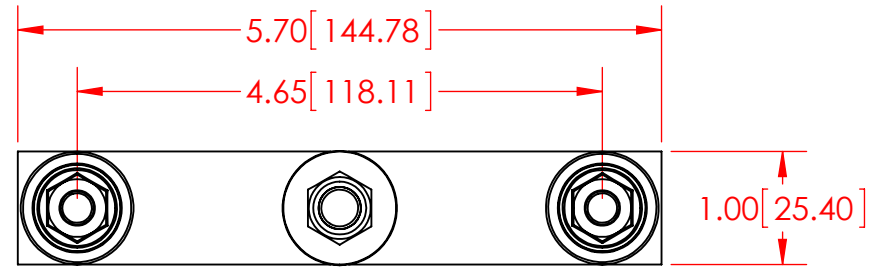



REVISION TABLE			
REV	DESCRIPTION	DRAWN	DATE
1	Rods changed to 153MM and nut changed to M8 Flange	Gunveet	17JAN14
2			

Item No.	Part Number	DESCRIPTION	QUANTITY
1	Rod	M8 x 153 mm	2
2	Insulator	M8 x 86 mm	2



Notes:
1. DIMENSIONS IN INCHES [MILLIMETERS].

Dwg no.	IC118F22K	NAME	DATE	 1230 Old Innes Road, Unit 411-412 Ottawa, ON Canada K1B-3V3 Tel: (613) 744-3670 Fax: (613) 744-8452 engineering@iconopower.com http://www.iconopower.com
Description	IC118F CLAMP	DRAWN	GUNVEET 11JUL11	
Revision	1	Designed		
Calibrated at	22kN	Checked	DEREK 26SEP11	
Z	2.75 - 3.00 [69.85 - 76.20]	UNLESS OTHERWISE SPECIFIED:		PROPRIETARY AND CONFIDENTIAL
SCALE: 1:2	DO NOT SCALE DRAWING	TOLERANCES: .X +/- 0.1 .XX +/- 0.05 .XXX +/- 0.010		THE INFORMATION CONTAINED IN THIS DRAWING IS THE SOLE PROPERTY OF ICONOPOWER LTD. ANY REPRODUCTION IN PART OR AS A WHOLE WITHOUT THE WRITTEN PERMISSION OF ICONOPOWER LTD. IS PROHIBITED. ICONOPOWER LTD. RESERVES THE RIGHT TO CHANGE THE DESIGN AT ANY TIME WITHOUT A NOTICE FOR PRODUCT IMPORVEMENT PURPOSES.
		ANGULAR: +/- 0 deg 15 min		
		SHEET 1 OF 1		