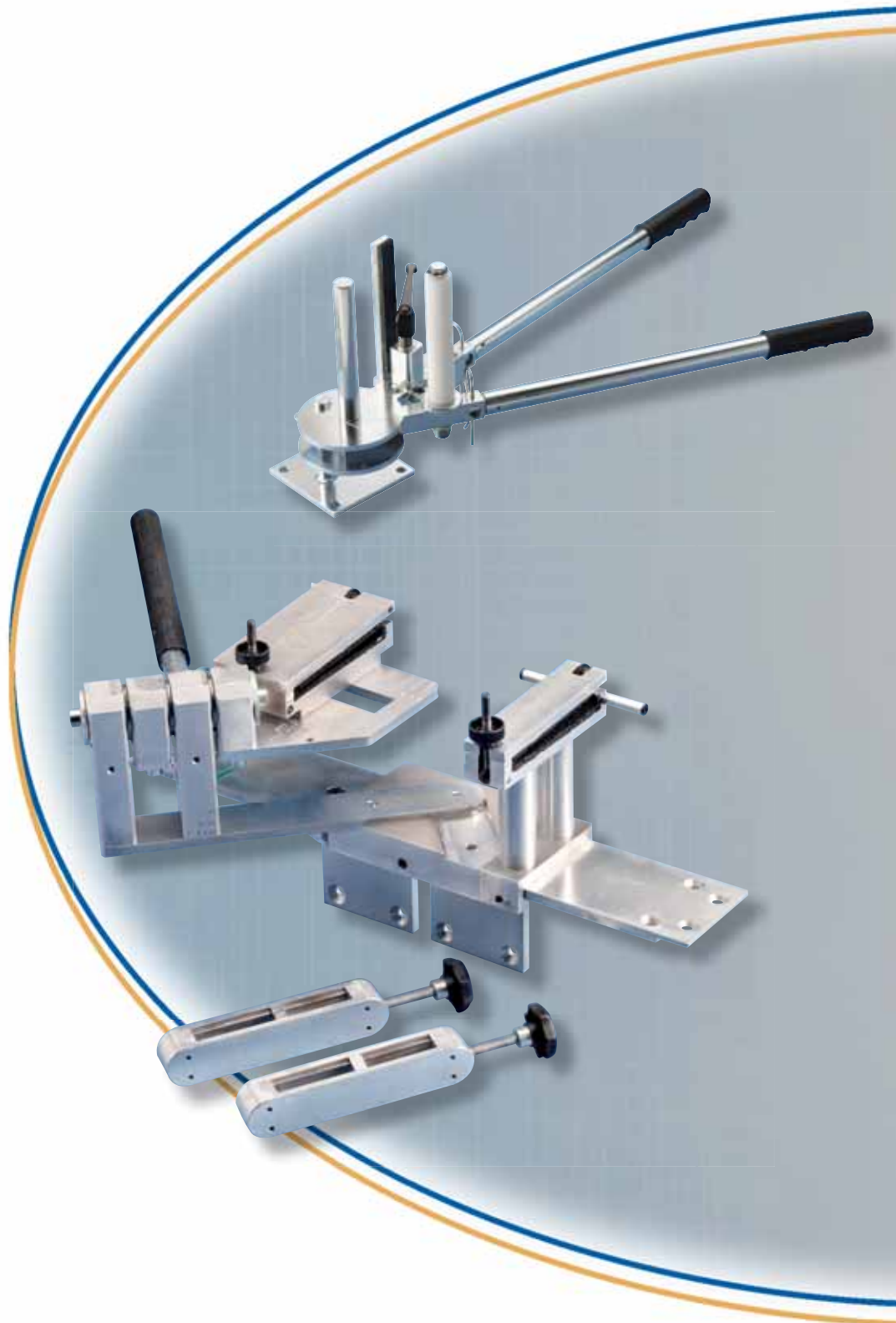


**ERIFLEX®**

# **ERIFLEX® FLEXIBAR** **Folding & Bending Tools**



**ERICO®**

# ERIFLEX® FLEXIBAR Folding Tools

**ERIFLEX FLEXIBAR Folding Tool MFF**



See on page 4

**ERIFLEX FLEXIBAR Folding Tool U-shape - MFFU**



See on page 5

**ERIFLEX FLEXIBAR Folding Tool Fixed Vice - MFFV**



See on page 5

**ERIFLEX FLEXIBAR Folding Tool Rail - MFFR**



See on page 6

**ERIFLEX FLEXIBAR Folding Tool Clamp - MFFC**



See on page 6

# ERIFLEX FLEXIBAR Bending Tool

**ERIFLEX FLEXIBAR Bending Tool HFBT**



See on page 7

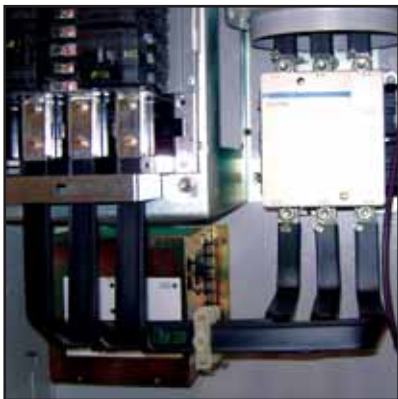
UNITED KINGDOM  
52 Milford Road  
Reading, Berkshire RG1 8LJ  
United Kingdom  
Phone 0808 2344 695  
Fax 0808 2344 676

NORTH AMERICA  
34600 Solon Road  
Solon, Ohio 44139  
United States of America  
Phone 1-800-497-4304  
Fax 1-800-944-4296

OTHER COUNTRIES  
B.P. 31 - 42161 Andrézieux  
Cedex  
France  
Phone 00 33 477 36 56 56  
Fax 00 33 477 36 18 10

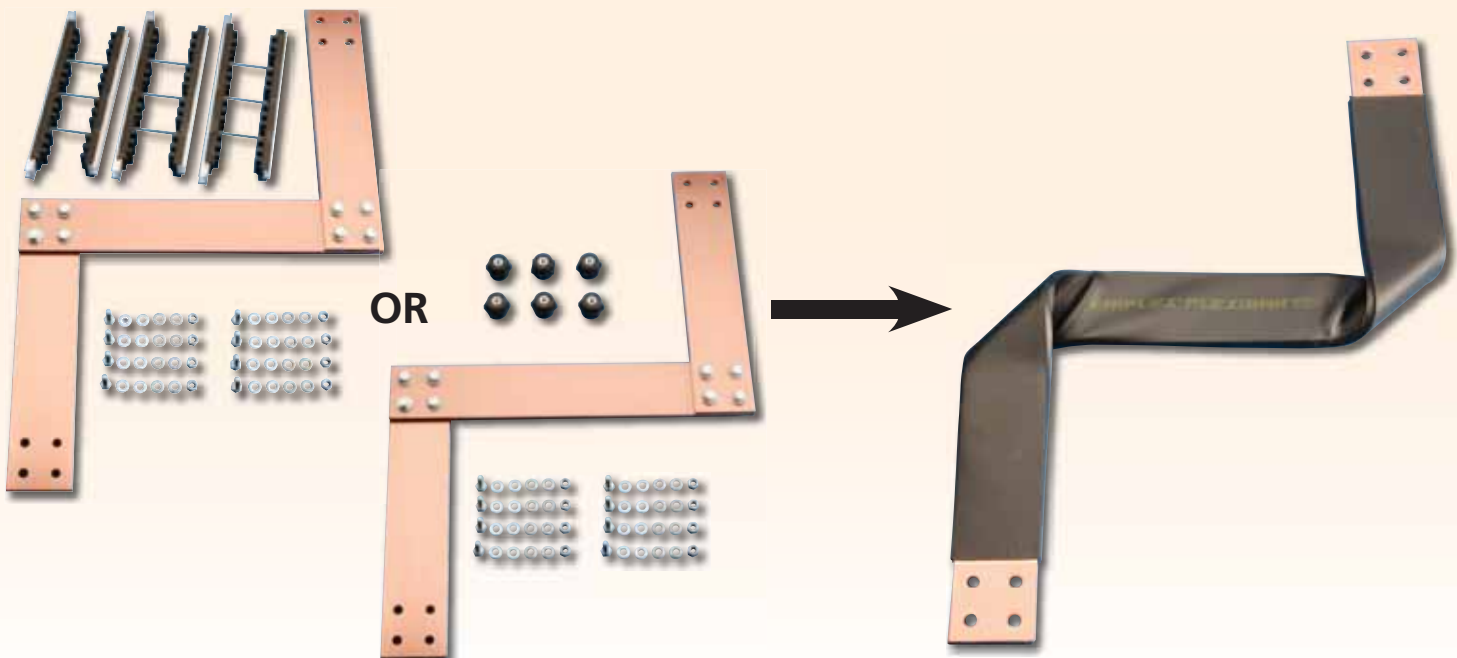
# The Best Flexible Busbar

ERIFLEX® FLEXIBAR Standard and  
ERIFLEX® FLEXIBAR SUMMUM



Improve your manufacturing and installation possibilities.

Significantly reduce your connections cost by using ERIFLEX FLEXIBAR and the new ERIFLEX FLEXIBAR folding and bending tools.






# ERIFLEX® FLEXIBAR Folding Tool MFF



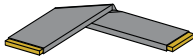
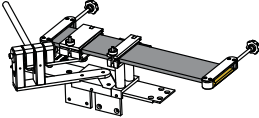
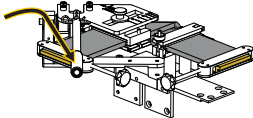
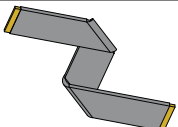
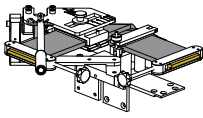
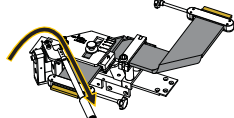
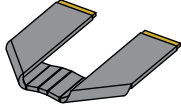
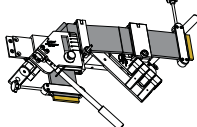
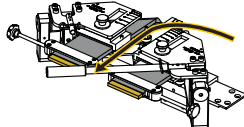
- ERIFLEX FLEXIBAR folds up to 10x120x1/12x100x1
- Folds quickly without insulation damage
- Multiple bending shapes: L - U - Z
- Easy to reproduce many shapes and sizes
- Significantly reduce ERIFLEX FLEXIBAR scrap
- Limits heavy ERIFLEX FLEXIBAR handling
- Quick and easy tool set up
- Universal tool for workshop or jobsite
- For ERIFLEX FLEXIBAR only

**UNIQUE IN THE MARKET**

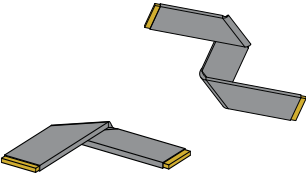
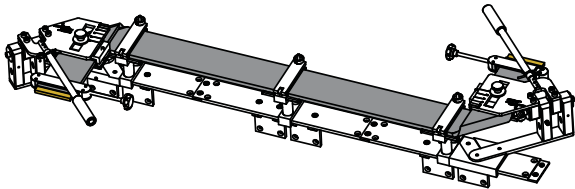
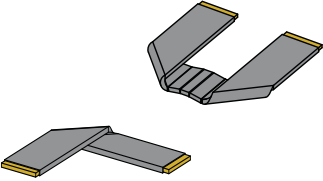
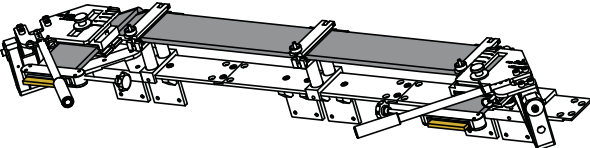
Part Number	Description			
558930	ERIFLEX FLEXIBAR Folding Tool MFF	1	20 kg	44 lbs

## ERIFLEX® FLEXIBAR Folding Process

Over all dimensions: L 600 x W 305 x H 305 mm

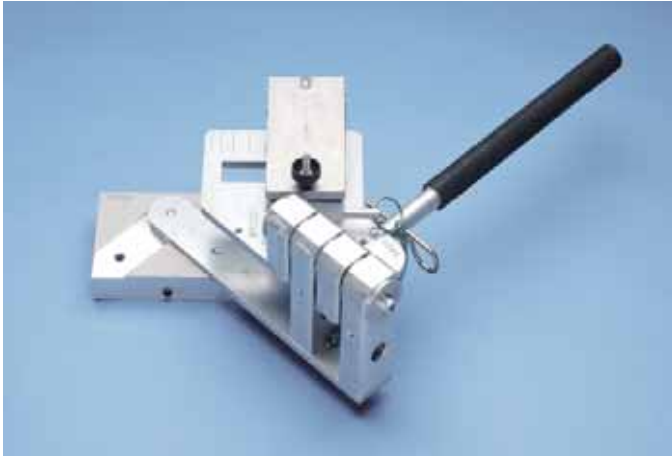
L Shape									
			<table border="1"> <thead> <tr> <th colspan="2">Tool to Use</th> </tr> </thead> <tbody> <tr> <td>558930</td> <td>x1</td> </tr> </tbody> </table>	Tool to Use		558930	x1		
Tool to Use									
558930	x1								
									
U Shape									
			<table border="1"> <thead> <tr> <th colspan="2">Tool (s) to Use</th> </tr> </thead> <tbody> <tr> <td>558930</td> <td>x1</td> </tr> <tr> <td>558931</td> <td>x1</td> </tr> </tbody> </table>	Tool (s) to Use		558930	x1	558931	x1
Tool (s) to Use									
558930	x1								
558931	x1								

## ERIFLEX® FLEXIBAR Long & Large Quantities

L + Z Shape																			
		<table border="1"> <thead> <tr> <th>Tool to Use</th> <th>L</th> <th>Z</th> </tr> </thead> <tbody> <tr> <td>558930</td> <td>x1</td> <td>x2</td> </tr> <tr> <td>558932</td> <td>x2</td> <td>x1</td> </tr> <tr> <td>558933</td> <td>x2</td> <td>x1</td> </tr> </tbody> </table>	Tool to Use	L	Z	558930	x1	x2	558932	x2	x1	558933	x2	x1					
Tool to Use	L		Z																
558930	x1		x2																
558932	x2	x1																	
558933	x2	x1																	
L + U Shape																			
		<table border="1"> <thead> <tr> <th>Tool to Use</th> <th>L</th> <th>U</th> </tr> </thead> <tbody> <tr> <td>558930</td> <td>x1</td> <td>x1</td> </tr> <tr> <td>558931</td> <td></td> <td>x1</td> </tr> <tr> <td>558932</td> <td>x2</td> <td>x2</td> </tr> <tr> <td>558933</td> <td>x2</td> <td>x2</td> </tr> </tbody> </table>	Tool to Use	L	U	558930	x1	x1	558931		x1	558932	x2	x2	558933	x2	x2		
Tool to Use	L		U																
558930	x1		x1																
558931			x1																
558932	x2	x2																	
558933	x2	x2																	




# ERIFLEX® FLEXIBAR Folding Tools

## ERIFLEX® FLEXIBAR Folding Tool U-shape - MFFU



- Accessory to the MFF tool
- Use with the MFF tool for U-shape folding

Over all dimensions: L 355 x W 305 x H 205 mm




Part Number	Description			
558931	ERIFLEX FLEXIBAR Folding Tool U-Shape MFFU	1	9 kg	19,8 lbs

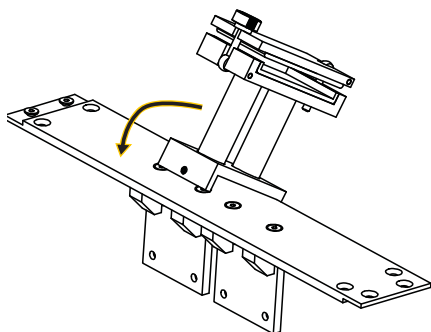
## ERIFLEX® FLEXIBAR Folding Tool Fixed Vice - MFFV



- Accessory to the MFF tool
- Supports long ERIFLEX FLEXIBAR
- Allows easy folding of long ERIFLEX FLEXIBAR

Over all dimensions: L 170 x W 125 x H 205 mm

Part Number	Description			
558932	ERIFLEX FLEXIBAR Folding Tool Fixed Vice MFFV	1	2,2 kg	4,8 lbs






# ERIFLEX® FLEXIBAR Folding Tools

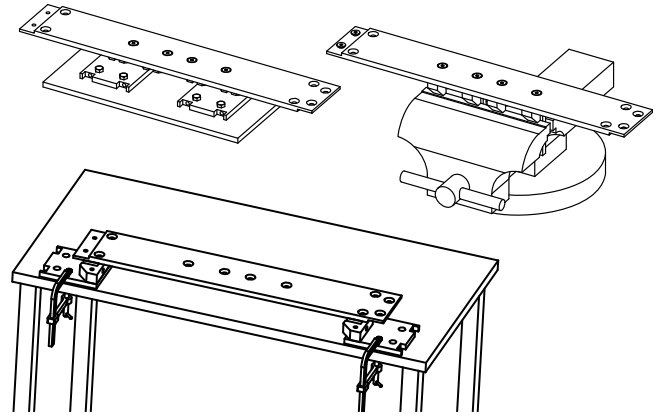
## ERIFLEX® FLEXIBAR Folding Tool Rail - MFFR



Over all dimensions: L 600 x W 100 x H 120 mm

Part Number	Description			
558933	ERIFLEX FLEXIBAR Folding Tool Rail MFFR	1	6,4 kg	14,1 lbs




- Accessory to the MFF tool
- Assists with the assembly of the MFF and MFFU tools for long ERIFLEX FLEXIBAR
- Affix the folding tool to the workbench or vice



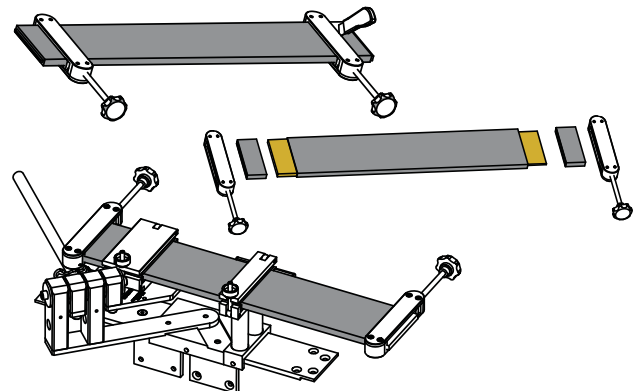
## ERIFLEX® FLEXIBAR Folding Tool Clamp - MFFC



Over all dimensions: L 240 x W 50 x H 50 mm

Part Number	Description	ERIFLEX FLEXIBAR			
558934	ERIFLEX FLEXIBAR Folding Tool Clamp 63 MFFC	20 --> 63	2	0,45 kg	1 lbs
558935	ERIFLEX FLEXIBAR Folding Tool Clamp 120 MFFC	20 --> 120	2	0,535 kg	1,2 lbs

- Accessory to the MFF tool
- Prevents any ERIFLEX FLEXIBAR laminates from sliding during the folding operation
- Allows for quality palms on ERIFLEX FLEXIBAR ends
- Helps with insulation stripping on large ERIFLEX FLEXIBAR sizes



# ERIFLEX® FLEXIBAR Bending Tool HFBT



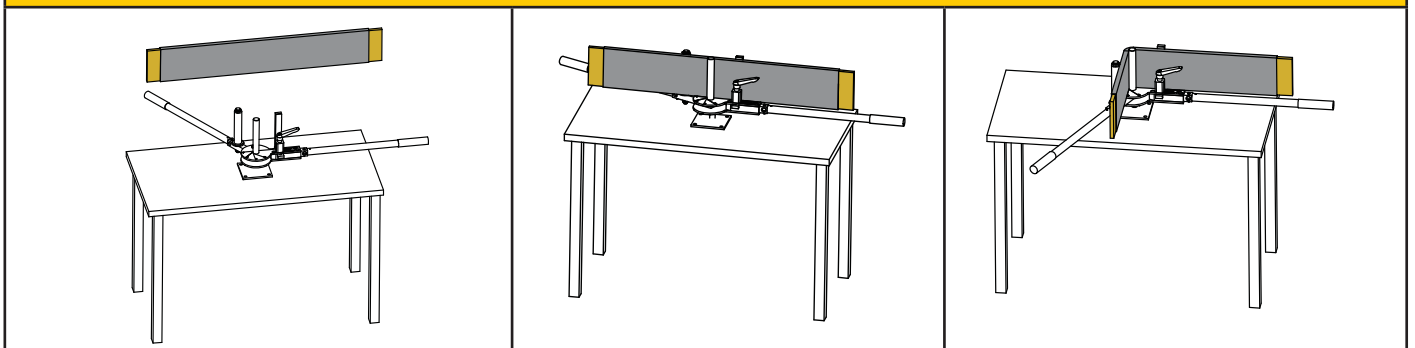
**NEW**

- ERIFLEX FLEXIBAR bends up to 10x120x1/12x100x1
- Bends quickly without insulation damage
- Limits heavy ERIFLEX FLEXIBAR handling
- Universal tool for workshop or jobsite
- Angle adjustment up to 180°
- Bending radius: 10 mm
- Compact tool in steel case

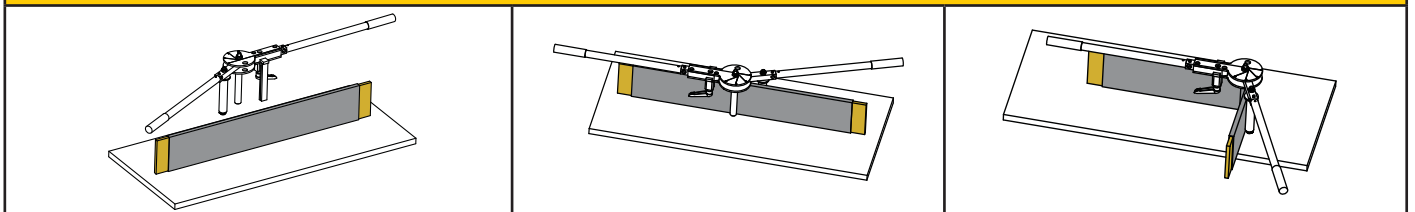
**UNIQUE IN THE MARKET**

Over all dimensions: L 345 x W 120 x H 215 mm

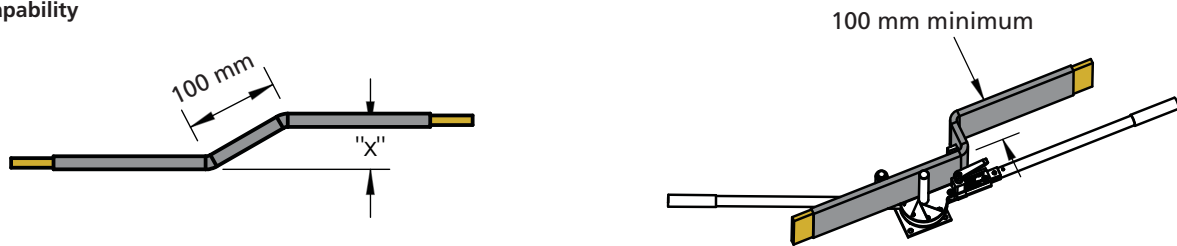
## On Workbench






## On Jobsite



## Tool Capability



Part Number	Description			
558920	ERIFLEX FLEXIBAR Bending Tool	1	7 kg	15.4 lbs

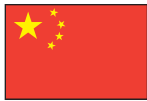
# ERICO®



[www.erico.com](http://www.erico.com)



**AUSTRALIA**  
Phone 1-800-263-508  
Fax 1-800-423-091



**CHINA**  
Phone +86-21-3430-4878  
Fax +86-21-5831-8177



**HUNGARY**  
Phone 06-800-16538  
Fax +39-0244-386-107



**NORWAY**  
Phone 800-100-73  
Fax 800-100-66



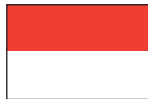
**SWITZERLAND**  
Phone 0800-55-86-97  
Fax 0800-55-96-15



**BELGIUM**  
Phone 0800-757-48  
Fax 0800-757-60



**DENMARK**  
Phone 808-89-372  
Fax 808-89-373



**INDONESIA**  
Phone +62-21-575-0941  
Fax +62-21-575-0942



**POLAND**  
Phone +48-71-349-04-60  
Fax +48-71-349-04-61



**THAILAND**  
Phone +66-2-267-5776  
Fax +66-2-636-6988



**BRAZIL**  
Phone +55-11-3623-4333  
Fax +55-11-3621-4066



**FRANCE**  
Phone 0-800-901-793  
Fax 0-800-902-024



**ITALY**  
Phone 800-870-938  
Fax 800-873-935



**SINGAPORE**  
Phone +65-6-268-3433  
Fax +65-6-268-1389



**UNITED ARAB EMIRATES**  
Phone +971-4-881-7250  
Fax +971-4-881-7270



**CANADA**  
Phone +1-800-677-9089  
Fax +1-800-677-8131



**GERMANY**  
Phone 0-800-189-0272  
Fax 0-800-189-0274



**MEXICO**  
Phone +52-55-5260-5991  
Fax +52-55-5260-3310



**SPAIN**  
Phone 900-993-154  
Fax 900-807-333



**UNITED KINGDOM**  
Phone 0808-2344-670  
Fax 0808-2344-676



**CHILE**  
Phone +56-2-370-2908  
Fax +56-2-369-5657



**HONG KONG**  
Phone +852-2764-8808  
Fax +852-2764-4486



**NETHERLANDS**  
Phone 0800-0200-135  
Fax 0800-0200-136



**SWEDEN**  
Phone 020-790-908  
Fax 020-798-964



**UNITED STATES**  
Phone 1-800-753-9221  
Fax +1-440-248-0723

## WARNING

ERICO products shall be installed and used only as indicated in ERICO's product instruction sheets and training materials. Instruction sheets are available at [www.erico.com](http://www.erico.com) and from your ERICO customer service representative. Improper installation, misuse, misapplication or other failure to completely follow ERICO's instructions and warnings may cause product malfunction, property damage, serious bodily injury and death.

## WARRANTY

ERICO products are warranted to be free from defects in material and workmanship at the time of shipment. NO OTHER WARRANTY, WHETHER EXPRESS OR IMPLIED (INCLUDING ANY WARRANTY OF MERCHANTABILITY OR FITNESS FOR A PARTICULAR PURPOSE), SHALL EXIST IN CONNECTION WITH THE SALE OR USE OF ANY ERICO PRODUCTS. Claims for errors, shortages, defects or nonconformities ascertainable upon inspection must be made in writing within 5 days after Buyer's receipt of products. All other claims must be made in writing to ERICO within 6 months from the date of shipment or transport. Products claimed to be nonconforming or defective must, upon ERICO's prior written approval in accordance with its standard terms and procedures governing returns, promptly be returned to ERICO for inspection. Claims not made as provided above and within the applicable time period will be barred. ERICO shall in no event be responsible if the products have not been stored or used in accordance with its specifications and recommended procedures. ERICO will, at its option, either repair or replace nonconforming or defective products for which it is responsible or return the purchase price to the Buyer. THE FOREGOING STATES BUYER'S EXCLUSIVE REMEDY FOR ANY BREACH OF ERICO WARRANTY AND FOR ANY CLAIM, WHETHER SOUNDING IN CONTRACT, TORT OR NEGLIGENCE, FOR LOSS OR INJURY CAUSED BY THE SALE OR USE OF ANY PRODUCT.

## LIMITATION OF LIABILITY

ERICO excludes all liability except such liability that is directly attributable to the willful or gross negligence of ERICO's employees. Should ERICO be held liable its liability shall in no event exceed the total purchase price under the contract. ERICO SHALL IN NO EVENT BE RESPONSIBLE FOR ANY LOSS OF BUSINESS OR PROFITS, DOWNTIME OR DELAY, LABOR, REPAIR OR MATERIAL COSTS OR ANY SIMILAR OR DISSIMILAR CONSEQUENTIAL LOSS OR DAMAGE INCURRED BY BUYER.

Copyright ©2011 ERICO International Corporation. All rights reserved.

CADDY, CADWELD, CRITEC, ERICO, ERIFLEX, ERITECH, and LENTON are registered trademarks of ERICO International Corporation.

P10648-WWEN

P107LT11WWEN

2.3M1011